



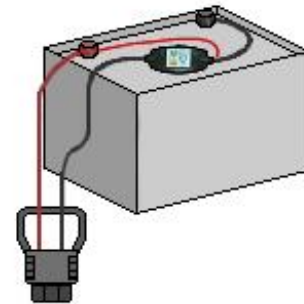
SmartON

DO YOU WANT TO MONITOR YOUR BATTERIES?



Monitors battery data:

- Measured instantaneous data: V, I, T, and Ah
- Storage and analysis of history data
- Statistics analysis
- Data download onto a PC

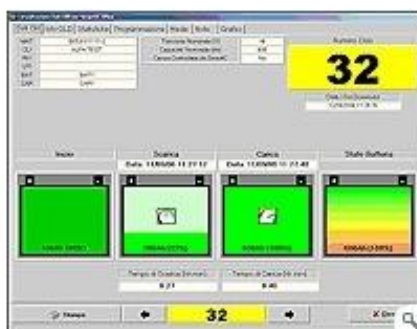


SENDING BATTERY DATA TO A PC

Through the IR adapter alla data are sent to the SmartView II PC programme, which makes it possible to display them in form both of working cycles and diagrams.

In addition SmartView II offers tools to analyse battery efficiency, effectiveness of the charging process and way to use.

DISPLAYING WORKING CYCLES



Storage of 200 working cycles
(Discharge/Charge)



Operating voltage and current
diagrams

